

EXHIBIT "A"

COAL CREEK UTILITY  
DISTRICT

SIDE SEWER  
REGULATIONS

November, 2014

COAL CREEK UTILITY DISTRICT

6801 — 132nd Place, S.E.  
Newcastle, Washington 98059

Telephone: 425-235-9200  
Fax: 425-228-7429

COMMISSIONERS

Richard D. Anderson

Douglas C. Kunkel

Pamela A. Martin

MANAGEMENT

Robert Russell, General Manager

Todd Hynek, Operations Manager

Pamela Nelson, Office Manager

ENGINEERS

PACE Engineers  
11255 Kirkland Way, Suite #300  
Kirkland, Washington 98033

Telephone: 425-827-2014  
Fax: 425-827-5043

ATTORNEYS

Inslee, Best, Doezie & Ryder, P.S.  
Symetra Financial Center, Suite 1900  
777 108th Avenue NE  
PO Box 90016  
Bellevue, Washington 98009-9016

Telephone: 425-455-1234  
Fax: 425-635-7720

**TABLE OF CONTENTS**

<b><u>ARTICLE</u></b>	<b><u>DESCRIPTION</u></b>	<b><u>PAGE</u></b>
I	DEFINITION OF TERMS	3
II	USE OF SEWERS	5
III	OBTAINING SIDE SEWER PERMIT	7
IV	SIDE SEWER CONTRACTOR LICENSING	9
V	SIDE SEWER CONTRACT WITH OWNER	10
VI	LOCATION OF MAIN SEWER WYES	11
VII	MINIMUM REQUIREMENTS FOR SIDE SEWERS - GRAVITY	11
VIII	INSTALLATION OF SIDE SEWERS GRAVITY	13
IX	INSPECTION AND TESTING OF SIDE SEWER INSTALLATIONS	15
X	RESTORATION	16
XI	SAFETY	16
XII	MAINTENANCE/REPAIR OF SIDE SEWER INSTALLATION	17
<b><u>APPENDIX</u></b>		
A	SEWER GRADE RELEASE	18
	DETAIL SHEETS	20

## **COAL CREEK UTILITY DISTRICT**

The following are the District Side Sewer Regulations, regulating the use of public and private sewers and drains, private sewage disposal, the installation and connection of sewers to buildings and the discharge of water and wastes into the District's sanitary sewer system.

### **ARTICLE 1- DEFINITION OF TERMS**

#### **1.01 AS-BUILT DRAWING**

The words "As-Built Drawing" shall mean a drawing prepared by the District Inspector in conjunction with the Permit, and shall show the "As-Built" location of the side sewer installation.

#### **1.02 COMMERCIAL STRUCTURE**

The words "Commercial Structure" shall mean all structures other than residential. Each commercial structure connected by a canopy, breezeway, or other type of cover shall be classed as a separate commercial structure.

#### **1.03 DISTRICT**

The word "District" shall mean Coal Creek Utility District, a municipal corporation, the Manager of the District, or the Manager's authorized representative.

#### **1.04 DOWNSPOUT**

The word "Downspout" shall mean the leader or pipe above ground which is installed to conduct storm water from the roof gutter or any structure.

#### **1.05 INDUSTRIAL WASTE**

The words "Industrial Waste" shall mean any liquid, solid, or gaseous substance, or combination thereof, resulting from any process of industry, manufacturing, commercial food processing, business, trade, research, or development.

#### **1.06 LICENSED SIDE SEWER CONTRACTOR**

The words "Licensed Side Sewer Contractor" shall mean any person, partnership, corporation or association duly qualified and competent to do work incidental to the construction or repair of side sewers under permits issued under these regulations and who shall have been duly licensed and bonded with the State and the District.

#### **1.07 OCCUPANT**

The word "Occupant" shall mean any Person or Owner in physical possession of a structure to which Sewer Service is available.

1.08 PERMIT

The word "Permit" shall mean an application for and a printed serially numbered form issued in duplicate by the District prior to construction or repair of any side sewer.

1.09 PERSON OR OWNER

The words "Person or Owner" shall mean any individual, company, partnership, corporation, association, society, or group who has an ownership of a structure to which sewer service is available, and the singular term shall include the plural.

1.10 PRIVATE SEWER

The words "Private Sewer" shall mean a Sewer, exclusive of Side Sewers, which is neither owned nor operated by the District.

1.11 PUBLIC SEWER

The words "Public Sewer" shall mean a Sewer, exclusive of Side Sewers, owned or operated by the District.

1.12 RESIDENTIAL STRUCTURE

The words "Residential Structure" shall mean a single family structure or a multiple family structure.

1.13 SEWAGE OR DOMESTIC WASTE

The word "Sewage" shall mean water carrying wastes discharged from the sanitary facilities of structures occupied or used by people.

1.14 SEWER

The word "Sewer" shall mean a conduit designed or used to transport wastewater, and into which storm water, surface and ground wastes are not intentionally admitted.

1.15 SEWER SERVICE

The words "Sewer Service" shall mean the continuing acceptance by the District of the sewage or wastewater from a structure in the public sewer.

1.16 SIDE SEWER

The words "Side Sewer" shall mean a conduit system (pressure or gravity) extending from the plumbing system of a structure(s) to and connecting with a Public or Private Sewer Main.

1.17 STORM DRAIN

The words "Storm Drain" shall mean a conduit designed or used to transport storm water.

1.18 STORMWATER

The words "Storm Water" shall mean rainfall, or waters on the surface of the ground or underground, resulting from rainfall or other natural precipitation.

1.19 WASTEWATER

The word "Wastewater" shall mean water-carrying wastes containing either or both sewage and industrial waste.

**ARTICLE II USE OF SEWERS**

2.01 RESPONSIBILITY FOR REPAIRS AND MAINTENANCE

The limit of responsibility of the District shall be maintenance of the public sewer. Side sewers shall be maintained by the property owners served (See 1.09). When and if the District is required to maintain and/or repair a side sewer or private sewer in order to protect the operation of the public sewer, the cost for such maintenance/repair shall be charged to the Owner of the property(s) served by the side sewer.

2.02 WASTES OTHER THAN DOMESTIC OR INDUSTRIAL

**All discharge into any District sewer must meet all King County Wastewater Division requirements.**

The discharge into any sewer by direct or indirect means of any of the following is hereby prohibited:

- 1) Subsoil Foundation Drain
- 2) Footing Drains
- 3) Window Well Drains
- 4) Door Well Drains
- 5) Yard Drains
- 6) Unroofed Basement Floor Drains
- 7) Overflows from unpolluted water storage facilities
- 8) Clear water from refrigeration, reverse-cycle heat pumps and cooling or air-conditioning equipment, except for the periodic draining and cleaning of such systems
- 9) Roof drains or downspouts from areas exposed to rainfall or other precipitation
- 10) Surface or underground waters
- 11) Any liquid or vapor having a temperature higher than 150 degrees Fahrenheit
- 12) Any waste that contains more than 100 parts per million by weight of fat, oil, or grease
- 13) Any gasoline, benzene, naphtha, oil, or other flammable or explosive liquid, solid, or gas
- 14) Any garbage that has not been properly shredded and diluted with water

- 15) Any ashes, cinders, sand, mud, straw, hair, shavings, metal, glass, rags, feathers, tar, plastics, wood, or any other solid or substance capable of causing obstruction to the flow in sewers or improper operation of the sewer works.
- 16) Any waste having a pH lower than 5.5 and higher than 8.5 or having any other corrosive property capable of causing damage or hazard to the structure, equipment, or personnel of the District.
- 17) Any waste containing a toxic or poisonous substance in sufficient quantity to inflict personal injury or interfere with any sewage treatment process.
- 18) Any waste containing suspended solids of such character and quantity that unusual attention or expense is required to handle such materials in the public sewer system or at the sewage treatment plant
- 19) Any obnoxious or malodorous gas or substance capable of creating a public nuisance.
- 20) Septic tank effluent or sludge, except from District approved systems

2.03 CONNECTION OF CESSPOOLS, SEPTIC TANKS, TRAPS AND INTERCEPTORS

- 1) Direct connection from the plumbing fixtures in the structure to the public or private sewer is required.
- 2) Any connection to a cesspool or septic tank will be removed, and proper connection directly made to the new side sewer. Cesspools or septic tanks shall be abandoned as per King County Health Department Policy and Procedure.
- 3) A District approved grit and oil trap located in the side sewer line shall be required for vehicle washing and vehicle service facilities, and all other facilities required by King County and Local Storm Drainage requirements.
- 4) A District approved grease trap or grease interceptor shall be installed where it is necessary to protect the District's sewer system. All non-residential facilities must meet King County's legal fats, oil and grease limits.
- 5) Traps and interceptors installed must be inspected by the District prior to approval.

2.04 THE OWNER DESIRING TO EXTEND, REPAIR, REPLACE, OR MAKE CONNECTION TO EXISTING SEWERS OR SIDE SEWERS.

No person shall extend, repair, replace or make connections to a public, private or side sewer within the property lines without first obtaining a permit from the District, calling for utility locates, and requesting proper inspection of the work by the District as herein authorized.

2.05 ADDITIONAL WORK - NEW PERMIT REQUIRED

When an existing structure is removed and a new structure is constructed, or an alteration affecting the side sewer is made, a new permit is required. Any existing side sewer that does not meet the current existing Regulations shall be replaced. No work shall be done without approval and inspection of the District as herein required.

## ARTICLE III

### OBTAINING SIDE SEWER PERMIT

#### 3.01 WHEN PERMIT MUST BE OBTAINED

Before any work is started for construction, addition or repair of a side sewer either on private property or within public rights-of-way, application shall be made for a Side Sewer Permit and said permit issued by the District. Applications for Side Sewer Permits must be submitted at least 24 hours prior to side sewer installation. If any portion of the installation is within a Right-of-Way, allow time for issuance of City or County Right-of-Way permit (normally two to four weeks) A permit is valid for 6 months.

All information regarding the installation of a side sewer shall be obtained from the District. Any information on the installation relayed by the Owner to the Contractor shall be in writing or on a plan, and such information shall be presented at the time application for a permit is made.

#### 3.02 PERSON WHO MUST APPLY FOR PERMITS

Application for a Side Sewer Permit will be made personally by the owner of the property to be served, or the Owner's authorized agent.

#### 3.03 MATERIAL REQUIRED FOR APPLICATION FOR PERMIT

In making application for a Side Sewer Permit, the Owner or authorized agent shall furnish a site plan showing the size and location of structures on the property, the Owner's name, address, and legal description of the property to be served. The full course of the proposed side sewer from the public sewer in the street to the structure shall be shown on the plan. Where easements are required, they shall be obtained at the Owner's expense and filed with the King County Recorder. Prior to issuance of the permit, a copy of the recorded easement shall be given to the District.

#### 3.04 PERMIT FEES

Prior to the issuance of any permit, all fees identified on the application shall be paid to the District.

#### 3.05 WORK IN A PUBLIC RIGHT-OF-WAY

A permit which includes side sewer work in a public right-of-way may be issued only to a licensed side sewer contractor. The owner shall reimburse the District for all costs of City, County and State permits and inspections. Side sewer contractors shall contact One-Call (811) for utility locations. Do not proceed to work in the right-of-way without the District's approval.



3.06 UNAUTHORIZED WORK

No work shall be started on any private or side sewer without a permit. No licensed side sewer contractor shall do any side sewer work under any other person's permit, nor shall any unauthorized person do any side sewer work under a Licensed Side Sewer Contractor's Permit, except as may be otherwise authorized by the District. If work is started on any private or side sewer without a permit or authorization from the District, a fine of \$1,000 can be levied against the violators.

3.07 TIME OF ISSUING PERMIT

No permit will be issued for side sewer connections before the public or private sewer is accepted by the District.

3.08 POSTING OF PERMIT

The Contractor's copy of the Side Sewer Permit and side sewer plan shall be readily available on the job to the Inspector of the District. No inspection will be made unless such permit and plan is readily available on the job site. The contractor shall be responsible for all additional costs incurred by the District for additional inspections

3.09 RESPONSIBILITY OF SIDE SEWER CONTRACTORS

The licensed side sewer contractor shall be responsible for abiding by all requirements of Article IV of these Regulations.

3.10 FAILURE TO COMPLY WITH PERMIT PROVISIONS

If any work done under a Side Sewer Permit is not in accordance with provisions of these Regulations and if the Contractor or person doing the work fails and/or refuses to properly construct and complete such work, notice of such failure or refusal shall be given to the Owner or Occupant of the property. The District may cause said work to be stopped. The Owner and/or Contractor shall be responsible for all additional costs incurred by the District related to Owner's and/or Contractor's failure to properly complete the work. If costs are incurred by the District, the owner will be billed for time, material and 15% administration charges.

If the work, in the opinion of the District, constitutes a hazard to public safety, health, or the public sewer, such work may be completed by the District. The cost of such work and any materials necessary; therefore, shall be charged to the Owner and/or Contractor and shall be payable by the Owner and/or Contractor immediately upon written notice given by the District of the amount or by posting a notice on the premises.

3.11 COMPLETION OF WORK IN A PUBLIC RIGHT-OF-WAY

All work within the limits of any public right-of-way shall be completed promptly and in compliance with City and County Requirements. If such work is not in compliance with City and County Right-of-Way Requirements, any costs incurred to bring such work into compliance and to restore the right-of-way shall be charged to the licensed side sewer contractor in charge of such work, and shall be payable immediately to the District upon

written notification to the Contractor. All asphalt and concrete shall be saw cut.

## ARTICLE IV

### SIDE SEWER CONTRACTOR LICENSING

#### 4.01 INTRODUCTION

Any side sewer contractor intending to do business within the District shall meet the following requirements:

#### 4.02 GENERAL QUALIFICATION

A side sewer contractor must be licensed and bonded with the State of Washington and with the District to conform with the nature of the work and must provide the District with proof of these licenses and bonds, as per 4.05 - Continuous Performance Bond.

#### 4.03 INSURANCE

A Side Sewer Contractor must have an insurance certificate naming as additional insured Coal Creek Utility District, King County, Washington, and must include a provision that such insurance shall not be canceled without at least forty-five (45) days written notice in advance to the District. This insurance certificate must be in the amount of:

Property damage liability	\$ 500,000 each occurrence \$1,000,000 each aggregate
---------------------------	--

Bodily injury liability	\$ 500,000 each person \$1,000,000 each occurrence
-------------------------	---

OR

Combined Single Limit of	\$1,000,000 per occurrence/aggregate
--------------------------	--------------------------------------

#### 4.04 HOLD HARMLESS

A Side Sewer Contractor shall execute a document whereby he shall hold harmless, indemnify and defend the District from any and all claims against the District as a result of the work done within the District pursuant to these regulations.

#### 4.05 CONTINUOUS PERFORMANCE BOND

A Side Sewer Contractor shall supply the District with a continuous performance bond in the amount of \$1,000.00 in order to work on side sewer installations within the District. A sample approved form is available at the District office. The bond is to protect the District in its obtaining road opening permits from the City or County and for other jurisdictional agencies, and to guarantee the completion of the side sewer installation. The bond shall contain in its terms a certification that it will not be canceled without at least forty-five (45) days written advance notice to the District.

4.06 RESPONSIBILITY OF LICENSED SIDE SEWER CONTRACTOR FOR ITS EMPLOYEES

The Licensed Side Sewer Contractor shall be responsible for any and all actions of its employees. The Contractor's absence or any misunderstanding of its orders by such employees shall not relieve the contractor of such responsibility.

4.07 REVOKING OF LICENSE

If the licensed Side Sewer Contractor has not complied with the provisions in following the rules and regulations established herein or any amendments hereto, the District shall have the right to revoke the license and privileges of said contractor to provide further work in the District.

**ARTICLE V**

**SIDE SEWER CONTRACT WITH OWNER**

5.01 COAL CREEK UTILITY DISTRICT REGULATIONS

Contracts between property owners and licensed Side Sewer Contractors shall provide that such licensed Side Sewer Contractors will comply with all District regulations.

5.02 RELEASE FROM MATERIAL AND LABOR LIENS

The Contractor shall furnish the property owner with a release of lien from both labor and material or an affidavit stating same has been paid, before payment is accepted by the contractor for such labor and material.

5.03 SPECIAL RELEASES AND AGREEMENTS

1) If the grade of the side sewer is to be less than 1/4 inch per foot (2%), the property owner shall sign and acknowledge a grade release waiver in a form approved by the District, the effect of which shall be to release the District from all future claims for damages due to the installation of said side sewer. If there is doubt about the grade, such grade release shall be executed before the pipe is laid. If upon inspection the grade is determined to be inadequate, the grade release shall be recorded in the office of the County Recorder before acceptance by the District.

2) Recording fees for grade releases and easements shall be paid for by the owner or owners of properties affected.

3) Where physical conditions render compliance with the provisions of these Regulations impracticable, the District may issue a special permit for installation of a side sewer requiring compliance with said provisions insofar as is reasonably possible, but such permit shall be issued only upon condition that the property owner execute and deliver to the District an instrument, in form furnished by the District, agreeing to save harmless and indemnify the District for any damage or injury resulting from such sub-standard installation.

5.04 PRIVATE PUMP

Individual connections to the Districts sewer system shall be gravity flow when possible. Private sewer grinder pumps require prior written approval from the District before installation can occur. Installation shall be in accordance with Coal Creek Utility District's Sewer Grinder Pump details and specifications.

**ARTICLE VI**

**LOCATION OF MAIN SEWER WYES**

6.01 CONNECTION TO DESIGNATED WYE OR TEE

Connection of the side sewer shall be made to the wye or tee designated at the time the side sewer permit is issued, unless written permission to do otherwise is obtained from the District.

6.02 EXCAVATION

Excavation shall be made at the measurements furnished by the District, to the best of their records, for the location of the wye or tee.

6.03 LOCATING DESIGNATED TEE WYE OR STUB

If the wye, tee or riser cannot be located with the measurements as furnished by the District, the licensed side sewer contractor shall immediately contact the District and report the circumstances. The District will attempt to provide information but will not be held responsible for cost of locating side sewers.

**ARTICLE VII**

**MINIMUM REQUIREMENTS FOR SIDE SEWERS- GRAVITY**

7.01 GRADE

All side sewers shall be laid on a grade of not less than 1/4 inch per foot (2%).

7.02 FOUNDATIONS

Side sewers parallel to the foundation wall of any buildings shall be laid not less than 30 inches therefrom.

7.03 DIAMETER OF PIPE AND LENGTH LIMIT

No side sewer less than 6 inches in diameter shall be laid in public rights-of way.

7.04 SINGLE RESIDENCE CONNECTION

Side sewers serving a single residential structure shall be a minimum of six (6) inches in diameter from the sewer main to the property line and a minimum of 4 inches in diameter to the residence. Side sewers serving a non-single family residential structure shall be a minimum of six (6) inches from the tee to the building.

7.05 JOINT SIDE SEWERS

If a side sewer serves two residential structures, a minimum diameter of 6-inch pipe shall be used from the sewer main to the wye/tee at the confluence of the separate side sewers, and a minimum of six (6) inches in diameter from the wye to the property line and four (4) inches from the property line to the residence.

7.06 MINIMUM SURFACE COVER FOR PIPE

Minimum cover for side sewers crossing a ditch in the public right of way, except as otherwise provided herein, shall be 3 feet.

7.07 WATER LINE CROSSINGS

Parallel water and sewer lines, wherever possible, shall be laid at least ten feet apart horizontally. Where it is necessary for sewer and water lines to cross each other, the crossing shall be made at an angle of approximately 90 degrees and the sewer shall be located eighteen (18) inches or more below the water line if possible. Where side sewers must cross over water lines, the side sewer shall be constructed of ductile iron pipe with mechanical joints for a distance of at least nine (9) feet each way from the center of the water main, or shall be encased with concrete.

7.08 OTHER UNDERGROUND FACILITIES

No other facilities shall be installed closer than two (2) feet horizontally to the side sewer line as installed.

7.09 ROCKERIES / RETAINING WALLS OVER SIDE SEWERS

In instances where rockeries or retaining walls are to be constructed over a side sewer (perpendicular placement only), the side sewer shall be installed within a steel casing pipe with the District approved casing spacers. The steel casing shall extend ten (10) feet each side of the retaining wall or as approved by the District. When rockeries or retaining walls are to be placed on top of an uncased side sewer, the side sewer shall be exposed and a steel casing installed around the existing pipe by methods approved by the District.

## ARTICLE VIII

### INSTALLATION OF SIDE SEWER - GRAVITY

#### 8.01 PIPE

Unless otherwise called for, side sewer pipe shall be PVC or ductile iron and meet the following specifications:

- 1) Plastic Pipe  
P.V.C. = Type PSM-SDR-33.5 or SDR-35-ASTM 3033-3034 (with standard gasket joints). ASTM D 3034, SDR 35.
- 2) Ductile Iron Class 50 AWWA C151 with mortar lining conforming to AWWA C104 (with mechanical or push-on type rubber joints)
- 3) Pipe  
All pipe must be bedded with pea gravel 4" below to 4" above the pipe. All pipe bedding, laying and joining shall be done in accordance with the manufacturer's recommendations and as approved by the District.

#### 8.02 FITTINGS

- 1) All changes in directions shall be made with 1/16 bends (22 ½ degrees). 1/8 bends (45 degrees) shall be wye branches with straight-through opening plugged for a cleanout. Not more than two bends shall be installed between cleanouts.
- 2) Cleanouts, including those for commercial property, shall be installed at locations designated by the District in accordance with District standards. (See Detail 11)
- 3) A test tee shall be provided at the point of connection to the sewer main, and at any other required point or points in order to insure that all portions of the side sewer or private sewer can be tested.
- 4) All uncompleted risers, cleanouts, castings and concrete blocks shall be installed by the licensed side sewer contractor and raised to grade as appropriate after final paving.
- 5) Where DIP is installed, a 6" C900 X 6" SEWER PVC adapter shall be used. (Adapter 58136-SWR) as per Specified Fittings.

#### 8.03 LAYING OF PIPE AND CONNECTION TO DISTRICT SEWER SYSTEM

All sewer pipe and connections must be installed to District side sewer specifications.

#### 8.04 LENGTH OF SIDE SEWER

Maximum length of any side sewer shall be 100 feet from the sewer main to the structure it serves.

Any waiver to this specification must be approved by Management prior to installation. If waiver is granted by Management, at least one cleanout must be brought to surface every 100 feet.

8.05 DEPTH OF SIDE SEWER

Ductile iron pipe is required if pipe is installed greater than 12 feet deep or less than 18 inches deep. Otherwise, PVC pipe may be used.

8.06 SLOPE OF SIDE SEWER

Slope of side sewer must be at least 2%. If installed greater than 15%, ductile iron pipe with field lock gaskets must be installed. Hill holders may also be required for severe slopes.

8.07 COMMERCIAL AND MULTI-FAMILY INSTALLATIONS

Commercial and multi-family side sewers require a clean-out to be brought to the surface. (See Detail 11)

**ARTICLE IX**

**INSPECTION AND TESTING OF SIDE SEWER INSTALLATIONS**

9.01 CALL FOR INSPECTION

Arrangements for inspection of a side sewer installation shall be made with the District 24 hours in advance. The District reserves the right to set the time for inspections. Side sewer permits must be obtained from the District prior to scheduling an inspection. All inspections will be performed during normal working hours.

9.01A If additional side sewer inspections are required due to improper construction, the District will charge and additional \$140.00 for each inspection.

9.02 TESTING OF FINAL INSTALLATION - GRAVITY SIDE SEWER

Side sewers shall be tested their entire length from the cleanout at the lower end of the line by testing for visible leakage before backfilling. Test shall be conducted by inserting a removable plumber's plug in the cleanout at the lower end of the line and filling the line with water above its highest point. The contractor may air test at 4 psi for 5 minutes in lieu of a water test. The contractor shall make this test before calling for inspection so that the inspector can observe and approve the installation in one visit. The licensed side sewer contractor or his job foreman must be present at the job during the inspections.

Testing apparatus and water shall be furnished by the licensed side sewer contractor. Visible leakage shall be corrected and the line shall be retested. All side sewer trenches must be maintained in a safe condition according to WISHA regulations and requirements.

9.03 RATE OF LEAKAGE

No Loss.

9.04 AS-BUILT DRAWINGS

As-built drawings shall be prepared by the Contractor and checked by the District inspector in conjunction with the Permit, and shall show the as-built location of the side sewer installation.

**ARTICLE X**

**RESTORATION**

10.01 RESTORATION WITHIN A CITY COUNTY OR STATE RIGHT-OF-WAY

It shall be the responsibility of the Licensed Side Sewer Contractor to restore the roadway surfacing within the limits of any public thoroughfare or right-of-way. Such work shall be conducted in strict accordance with the rules and regulations of the agency having jurisdiction of said thoroughfare or right-of-way.

10.02 RESTORATION WHERE NOT PRESCRIBED BY CITY, COUNTY OR STATE

The Licensed Side Sewer Contractor shall follow City, County and State Specifications.

10.03 CLEAN-UP

The Licensed Side Sewer Contractor shall remove all debris and excess excavation and shall notify the District of any damage and shall repair such damage, restoring public or private property to its original condition immediately after backfilling.

**ARTICLE XI**

**SAFETY**

11.01 SAFETY EQUIPMENT

The licensed side sewer contractor, before beginning excavation in a public area, shall have at the site sufficient barricades to properly protect the work. The barricades shall be illuminated during the night-time hours in accordance with City and County Right-of-Way regulations and requirements. During the pipe laying operation, a ditch pump shall be readily available on-site for immediate use.

All construction shall be in compliance with local, state and federal safety regulations. The contractor's attention is specifically directed to the Washington Industrial Safety & Health Act (WISHA).



## ARTICLE XII

### MAINTENANCE AND / OR REPAIR OF SIDE SEWER INSTALLATION

#### 12.01 SIDE SEWER CLEANING

All side sewer cleaning contractors and/or plumbers, licensed side sewer contractors and/or owners prior to or while actually engaged in cleaning existing side sewers (as distinguished from plumbing and septic tank facilities), shall notify the District of such operations which are located within the service area of the District

#### 12.02 EXCAVATION AND/OR MODIFICATION OF SIDE SEWER INSTALLATIONS

No side sewer cleaning contractor, plumber, licensed side sewer contractor, or owner shall excavate for the purpose of exposing a side sewer, nor shall such persons make repairs or modifications to an existing side sewer (including the cutting of holes in the pipe line and/or installation of additional fittings) until a permit has been obtained from the District.

#### 12.03 DEMOLISHED OR REMOVED BUILDINGS

The property owner or his contractor engaged in demolishing or removing any structure connected to the public sewer shall obtain a permit from the District prior to such work and shall expose and plug the side sewer connection of such structure at the property line in accordance with the requirements of the District with this Regulation. A District Inspector must observe such plugging.

**SEWER GRADE RELEASE**

1. Coal Creek Utility District, a municipal corporation in King County, Washington ("District"), owns and operates a sanitary sewer system in King County, Washington.
2. The undersigned owns real property as legally described on Exhibit "A" attached hereto and incorporated herein by this reference ("Property"). The undersigned has applied to the District to construct a side sewer to connect the Property to the District's sewer system.
3. District policy requires that all side sewers shall be laid on a grade of not less than one-quarter inch per foot (2%). However, the proposed grade of the side sewer to connect the Property to the District's sewer system will be less than one-quarter inch per foot (2%). The District will allow the undersigned to install and connect a side sewer at less than the required grade of 2 percent for connection of the property to the District's sewer system on the condition that such connection be made in accordance with all other District policies, rules, and regulations regarding such side sewer connection. In addition, the undersigned shall install a back-flow prevention device as determined and required by the District in its discretion on the side sewer providing service to the Property.
4. In consideration of the District's approval of the side sewer connection, the undersigned agrees to accept full responsibility for and to defend, indemnify, and hold the District harmless from any liability, damages, and/or losses or costs of any nature or kind for any injury or damage to personal or real property resulting from, or in any way related to, the side sewer connection authorized herein and/or sewer backups in the side sewer and/or on the Property.
5. This agreement and release shall be recorded by the District with the King County Office of Records and Elections upon its execution by the parties herein. The provisions of this agreement and release shall be a covenant running with the Property described on Exhibit 'A' attached hereto, and shall be binding upon all parties and their successors and assigns.

COAL CREEK UTILITY DISTRICT ("District")

By \_\_\_\_\_

Dated: \_\_\_\_\_

Its \_\_\_\_\_

OWNER

\_\_\_\_\_

Dated: \_\_\_\_\_

By \_\_\_\_\_

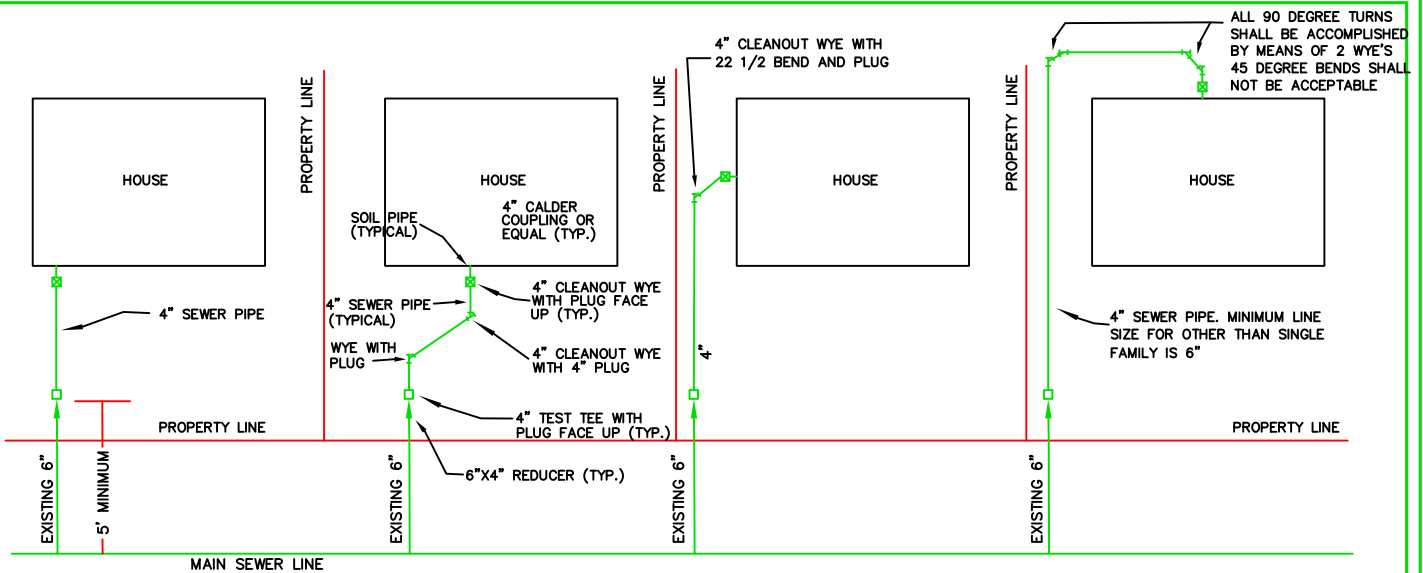
\_\_\_\_\_

Dated: \_\_\_\_\_

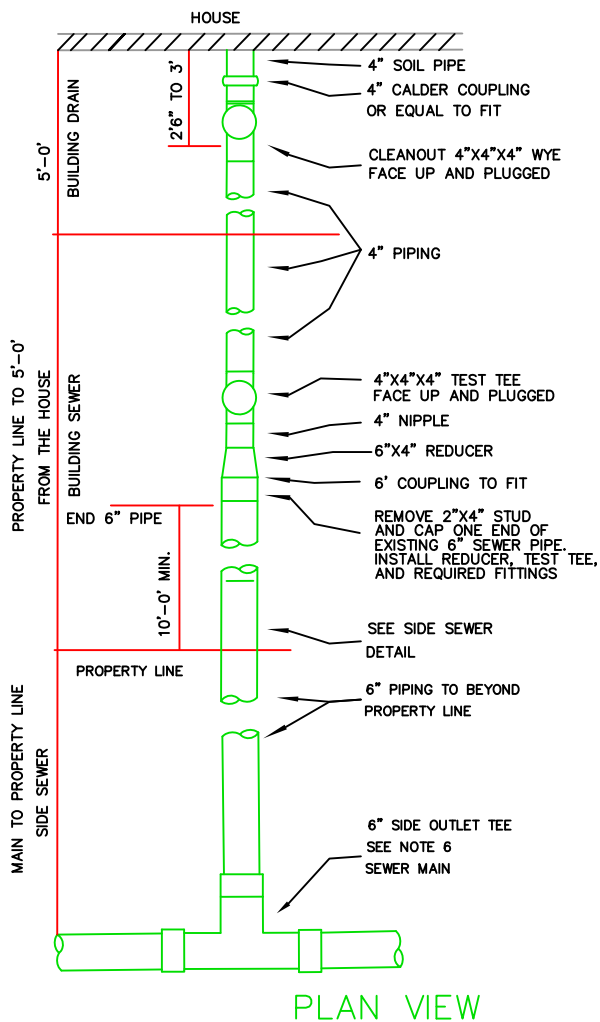
By \_\_\_\_\_

STATE OF WASHINGTON            )  
  )ss.  
COUNTY OF KING                )





## TYPICAL BUILDING SEWER INSTALLATION PLAN



### CONSTRUCTION NOTES:

1. ALL CHANGES IN DIRECTION SHALL BE MADE WITH 1/16 BENDS (22 1/2 DEGREES). 1/8 BENDS (45 DEGREES) SHALL BE WYE BRANCHES WITH STRAIGHT-THROUGH OPENING PLUGGED FOR CLEANOUT.
2. SLOPE SHALL BE AT LEAST 2%
3. ALL PIPE IS TO BE BEDDED IN PEA GRAVEL. 4" ABOVE AND BELOW PIPE
4. HOUSE CONNECTION MUST BE MADE AT TIME OF SIDE SEWER CONSTRUCTION.
5. ALL WORK SHALL BE ACCOMPLISHED IN ACCORDANCE WITH THE WASHINGTON INDUSTRIAL SAFETY AND HEALTH ACT. (WSHA)
6. NO WORK CAN BE DONE IN THE RIGHT-OF-WAY WITHOUT A PERMIT FROM THE CITY, COUNTY, OR STATE. DO NOT PROCEED TO WORK IN THE RIGHT-OF-WAY WITHOUT DISTRICT APPROVAL.
7. REDUCER SHALL BE PVC
8. WHERE DIP IS INSTALLED, A 6" C900 X 6" SEWER PVC ADAPTER SHALL BE USED. (ADAPTER 58136-SWR) AS PER SPECIFIED FITTINGS.
9. CONNECTIONS OF SIDE SEWERS TO AN EXISTING SEWER LINE SHALL BE MADE AS FOLLOWS, OR AS DIRECTED BY THE DISTRICT ENGINEER.
  - A) FOR DUCTILE IRON PIPE, THE CONNECTION SHALL BE MADE WITH A STAINLESS STEEL OR STAINLESS STEEL W/D.I. FLANGE, TAPPING TEE, ROMAC MODEL "SST" OR EQUAL. FL BY MJ ADAPTER IS REQUIRED.
  - B) FOR PVC OR AC PIPE, THE CONNECTION SHALL BE MADE WITH A SEWER SADDLE, ROMAC STYLE "CB" OR EQUAL

SEE STANDARD DETAIL 11



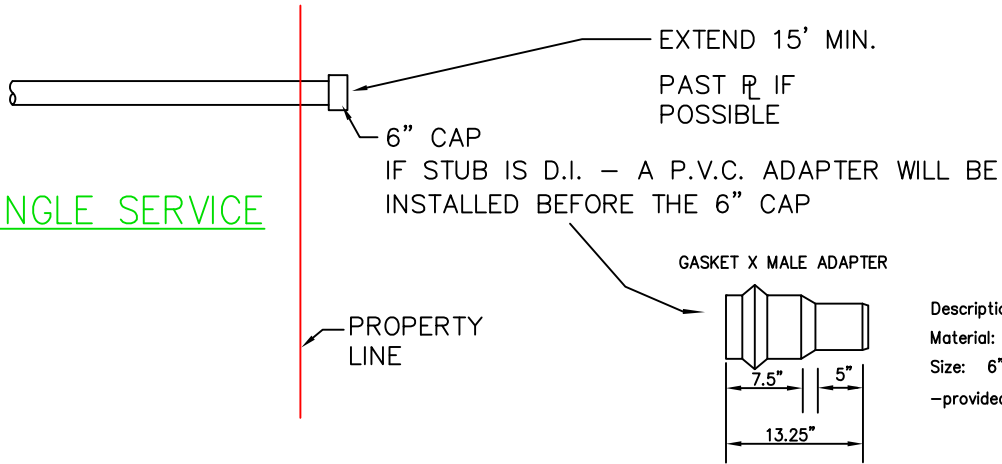
Coal Creek  
Utility District

STANDARD  
SIDE SEWER  
DETAIL

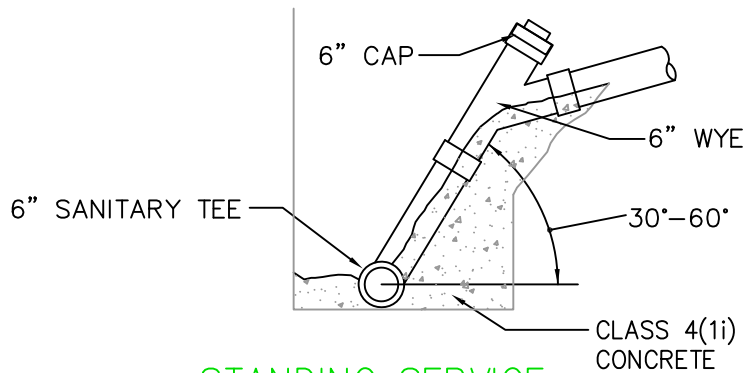
REVISION DATE

11-14

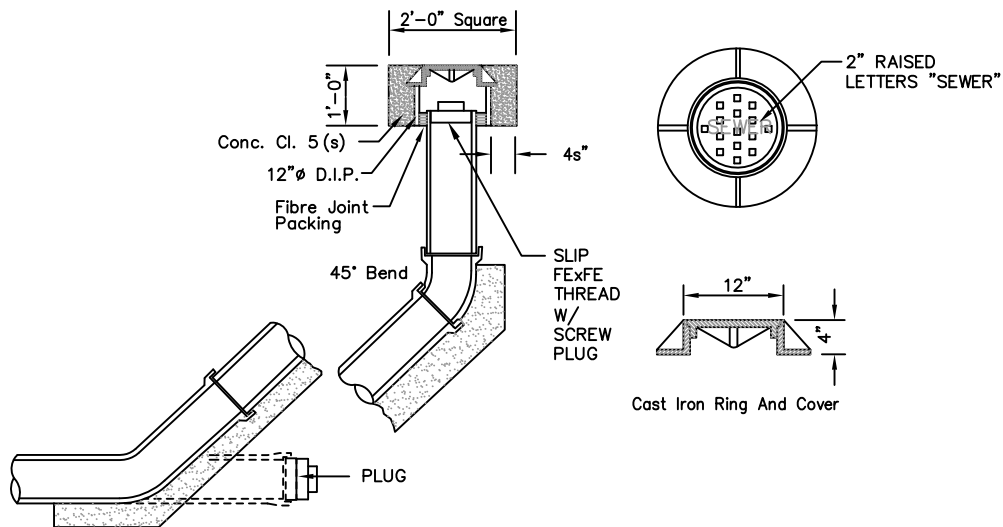
SINGLE SERVICE



Description: Adapter 581346-SWR  
 Material: PVC SDR 35  
 Size: 6" C900 X 6" SEWER  
 -provided by Specified Fittings



STANDING SERVICE  
 MAY BE REQUIRED AT DEPTHS > 12'



CLEAN OUT COVER



Coal Creek  
 Utility District

SIDE SEWER  
 DETAILS

SEWER STD.  
 PLAN NO. 11

REVISION DATE  
 11-14